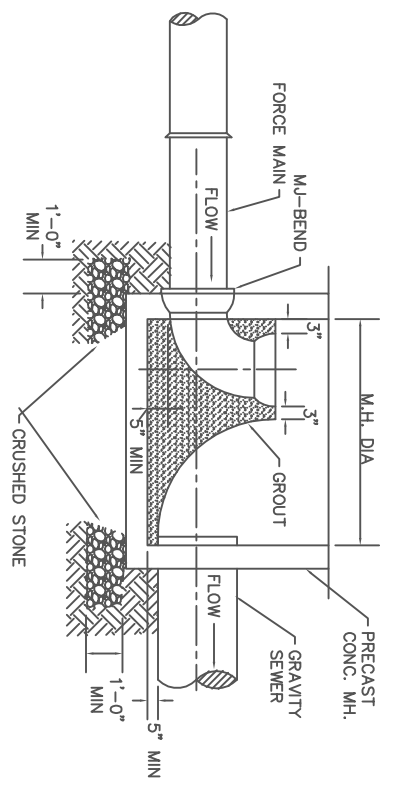
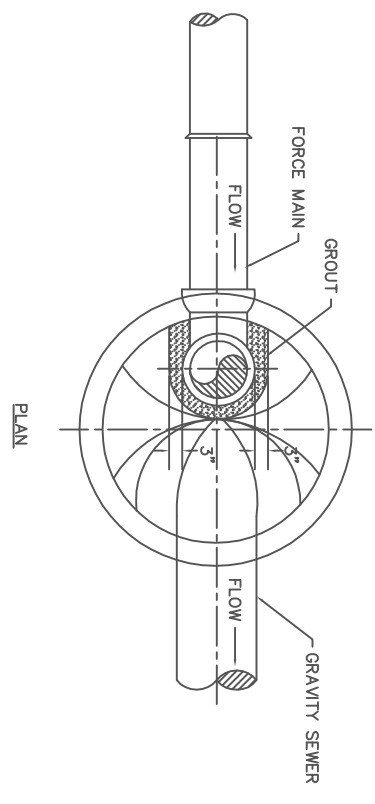


REQUIRED: USE STANDARD MANHOLE CONE SECTION #113 WITH BOLT DOWN COVER STANDARD #111

NOTES:  
 ALL FORCE MAINS SHALL BE " DIA. DIP, CLASS 50 PUSH-ON JOINTS EXCEPT AT CREEK CROSSINGS, BORINGS, AND FITTINGS. ALL CONSTRUCTION METHODS AND MATERIALS AND MAJOR GLANDS TO BE USED IN FULTON COUNTY MUST BE MADE OF DUCTILE IRON AND COMPLY TO THE ANSI/AWWA A21.111/C111-85 STANDARD SPECIFICATIONS. GLANDS THAT DO NOT MEET THE SPECIFICATIONS WILL NOT BE ACCEPTED. THRUST BLOCKING WILL BE USED ON ALL TEES AND BENDS. INSPECTOR MUST BE NOTIFIED 24 HOURS BEFORE CONSTRUCTION.

FOR COMMERCIAL USE ONLY

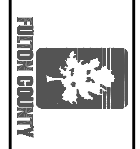


FORCE MAIN DISCHARGE MANHOLE DETAIL  
 N.T.S.  
 (END OF LINE CONNECTION)

FULTON COUNTY STANDARD DETAIL 116  
 FORCE MAIN DETAILS  
 AIR & VACUUM RELEASE VALVE  
 ASSEMBLY

DATE	REVISIONS	DATE	REVISIONS
8/08	NRR		

DGS/DRN/CHKD. REB  
 APPROVED: \_\_\_\_\_  
 DATE: 12-2-05



FULTON COUNTY PUBLIC WORKS  
 141 PRYOR ST. ATLANTA, GA. 30303  
 404-612-7400 FAX: 404-224-0498

DRAWING NO. 116